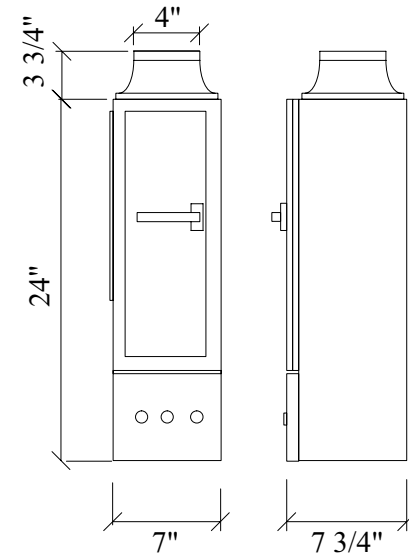
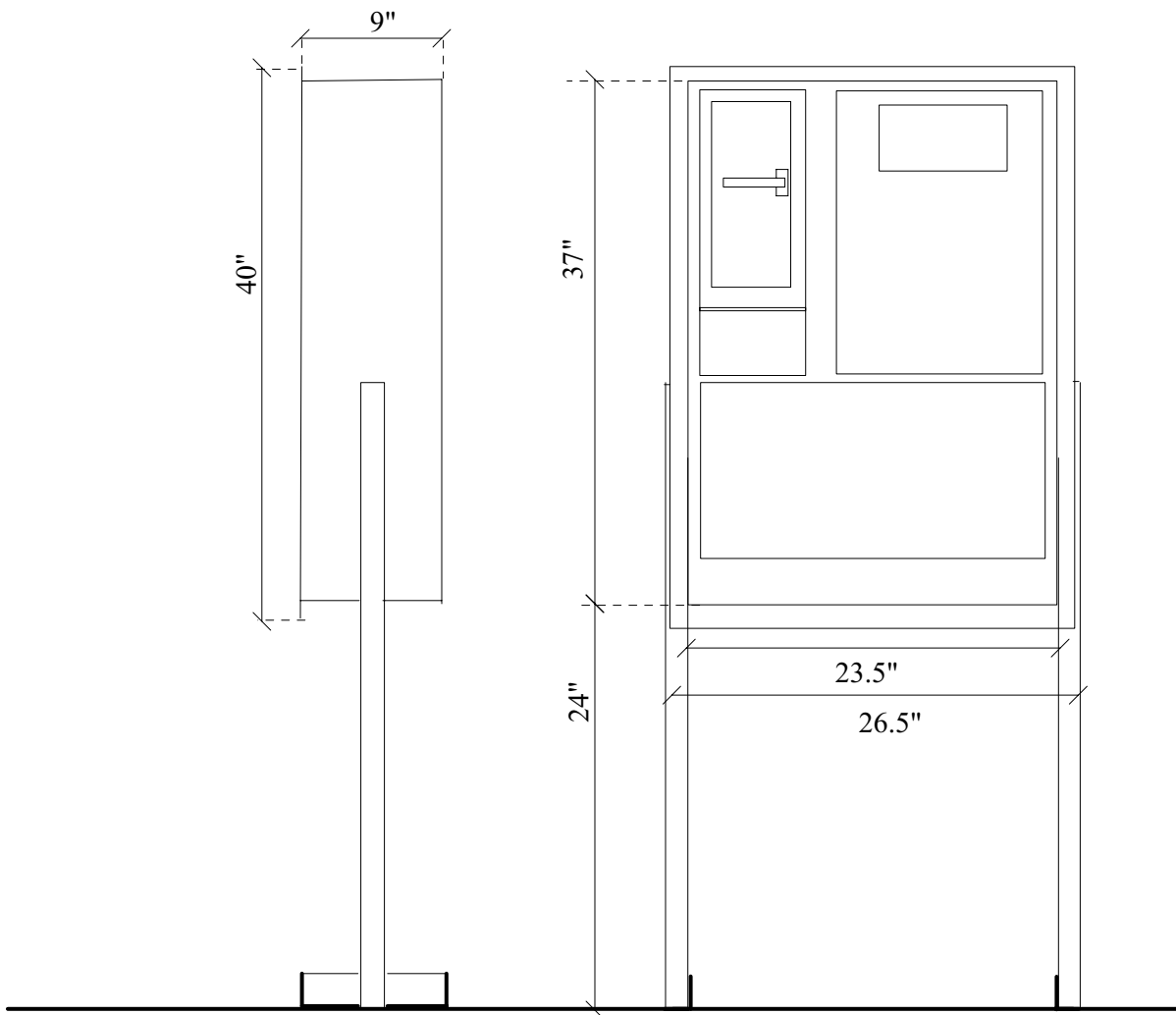


4" MASTER STATION

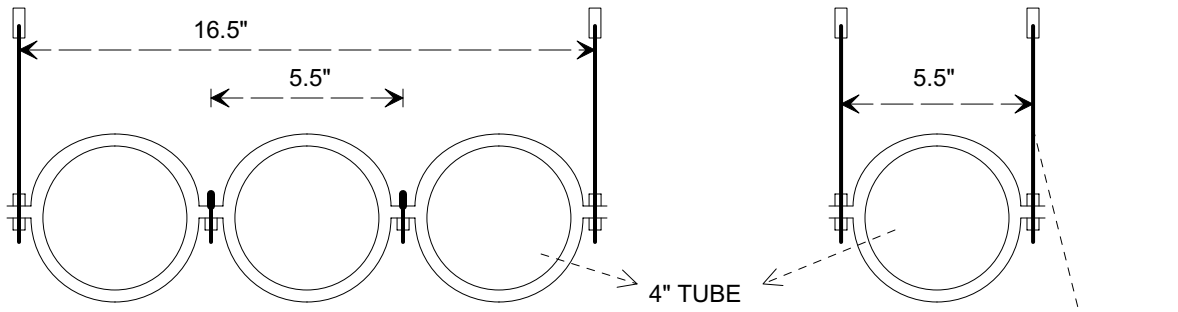


4" SUB-STATION
(TYPICAL)

ZIP PNEUMATICS <hr/> INCORPORATED	SUBJECT: ENTERPRISE SERIES 2400 STATION DETAILS	DATE: 8-9-01	DRAWN BY: JS
			DRAWING #: SDT-2400

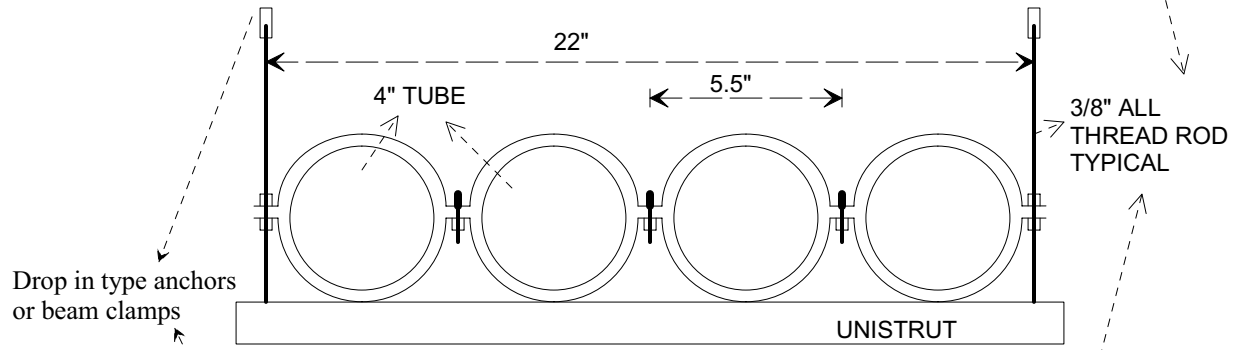


ZIP PNEUMATICS <hr/> INCORPORATED	SUBJECT: <i>4" ENTERPRISE SERIES 2000 RECESSED MASTER DETAILS</i>	DATE: 5-9-95	DRAWN BY: JS
		SCALE: NONE	DRAWING #: E2400-RECM



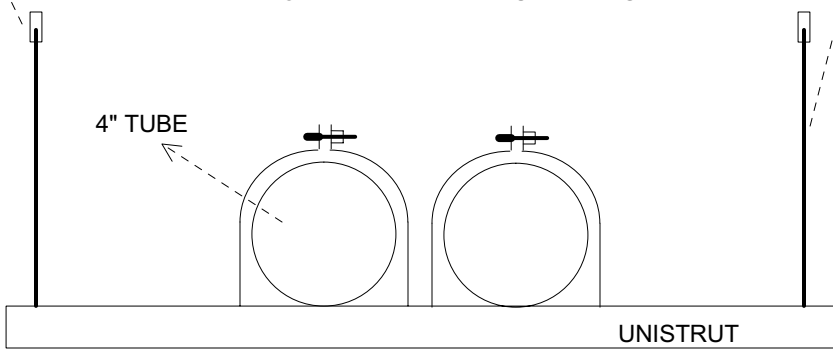
STANDARD CLAMP

WITH LESS THAN FOUR TUBE LINES



STANDARD CLAMP

WITH MORE THAN THREE TUBE LINES



UNISTRUT CLAMP

TUBE SHALL BE SUPPORTED BY HANGERS ON 12' CENTERS

ZIP PNEUMATICS <hr/> INCORPORATED	SUBJECT 4" STANDARD HANGER DETAIL	DATE 4/18/90	DRAWN BY JS
		SCALE NONE	DRAWING# 40HGR

Rotron Regenerative blower:

Model - DR707D89X

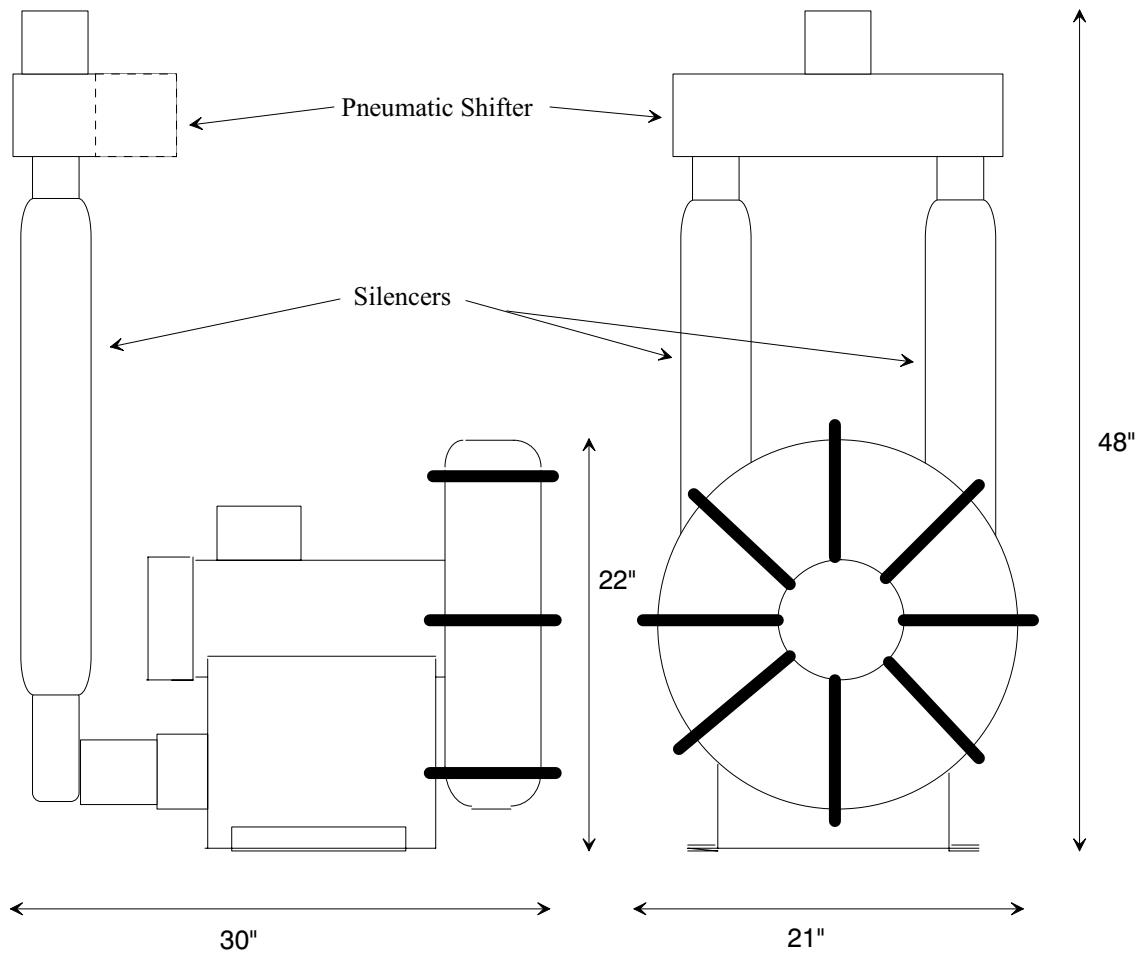
CFM - 225 cfm

H.P. - 5 h.p.

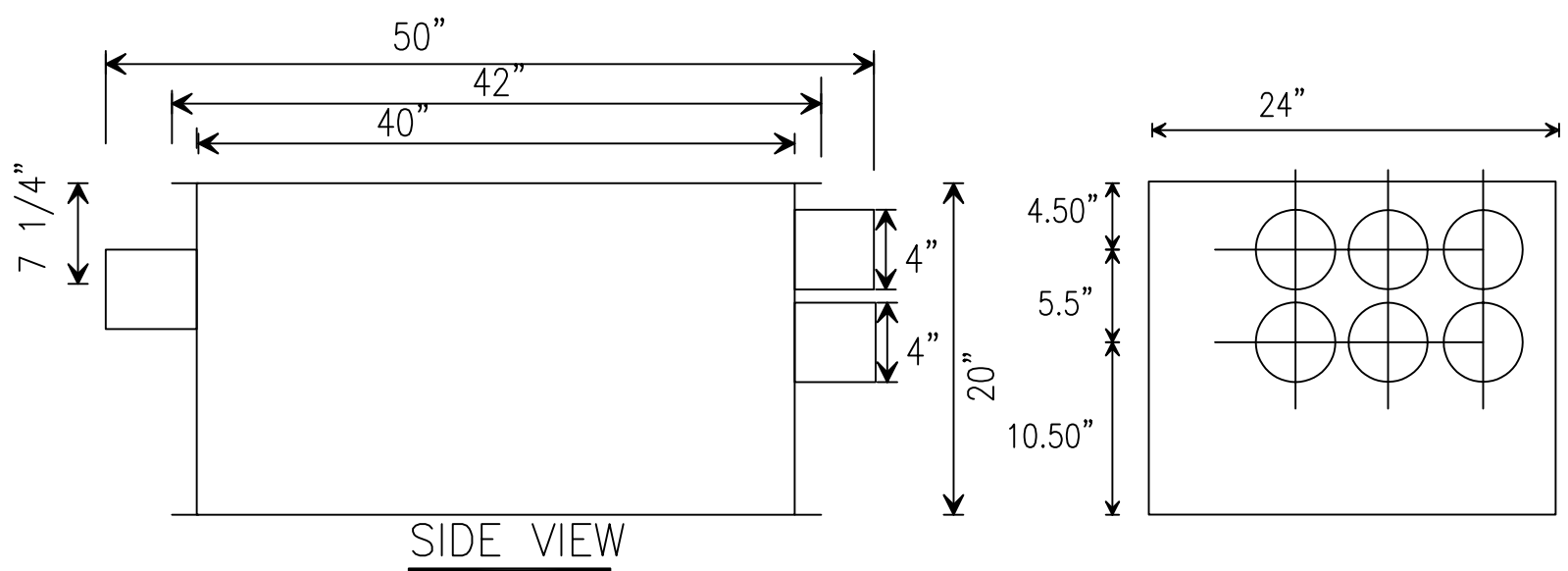
Voltage - three phase, 200/230/460/3/60

Weight - 133 lbs

Fittings - 2" NPT

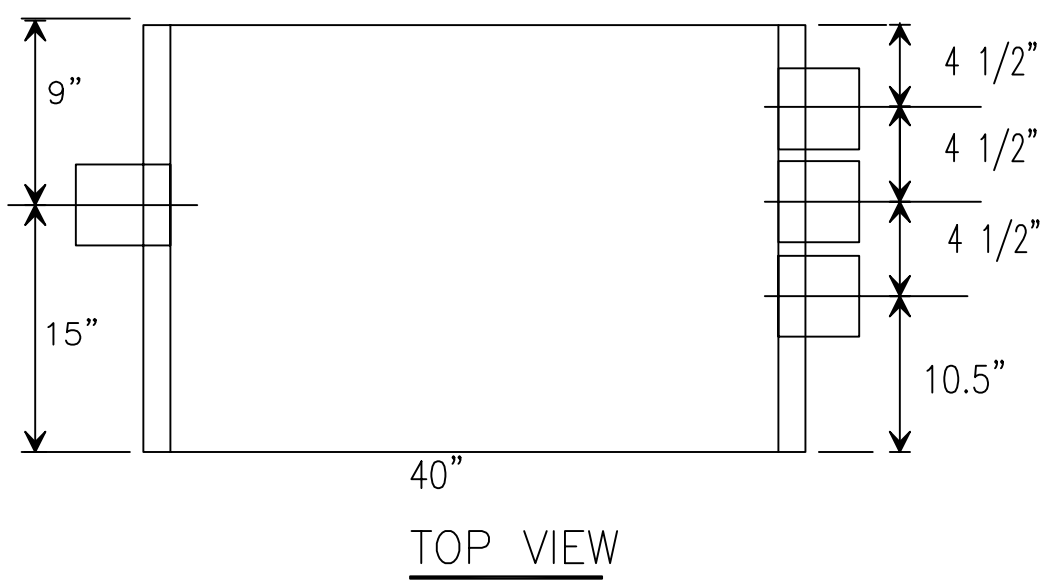


ZIP PNEUMATICS <hr/> INCORPORATED	SUBJECT: <i>4" Automatic System Blower Detail</i>	DATE: 3-9-94	DRAWN BY: JS
		SCALE: NONE	DRAWING #: E9401-100



SIDE VIEW

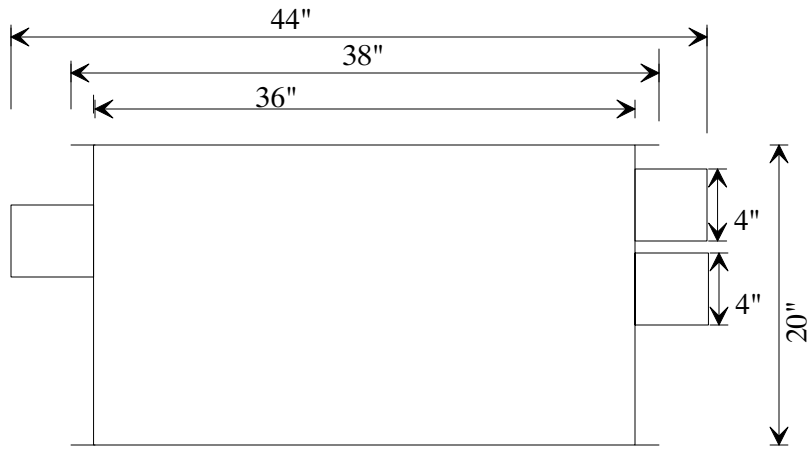
FRONT VIEW
(MULTI PORT VIEW)



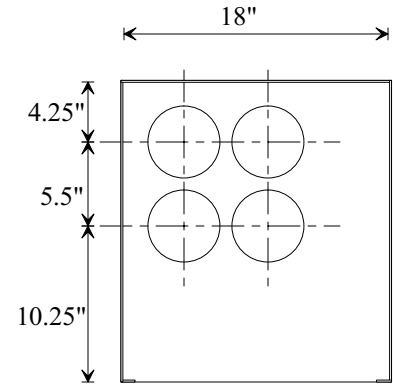
TOP VIEW

6-port Diverter

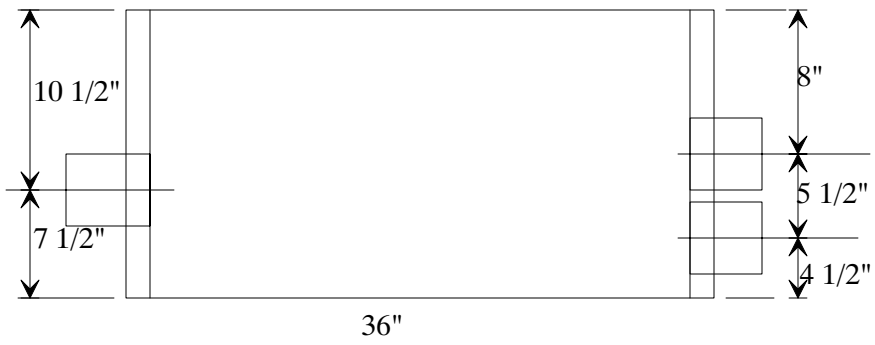
Zip Pneumatics Inc.	Subject	Date	Drawn By
	4" 6-port Diverter	5/25/04	JS
		Scale	Drawing #
		As Shown	ESS8406



SIDE VIEW

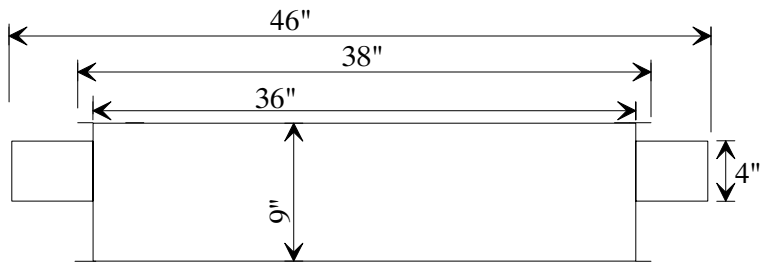


FRONT VIEW
(MULTI PORT VIEW)

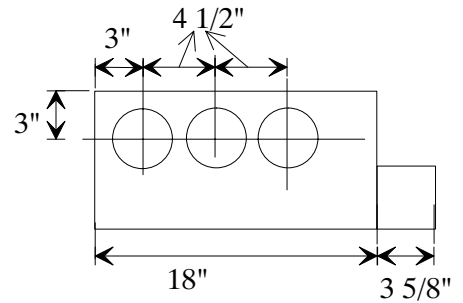


TOP VIEW

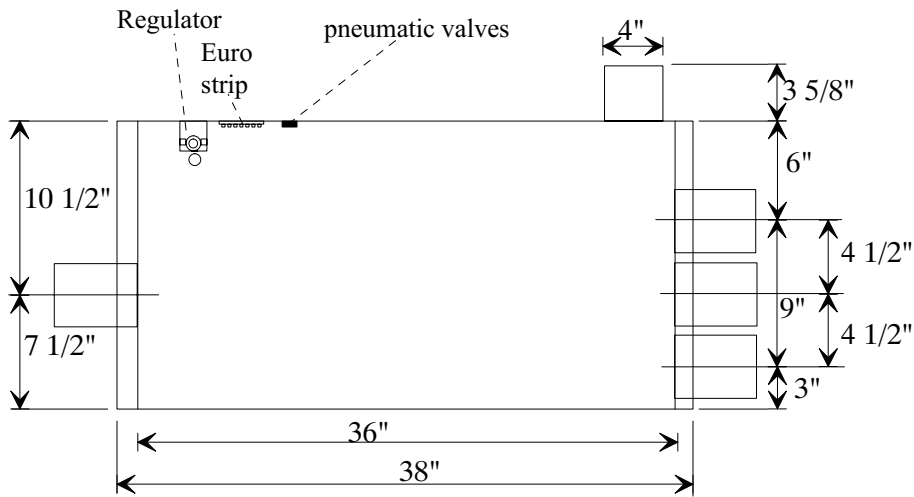
ZIP PNEUMATICS <hr/> INCORPORATED	SUBJECT: <i>4" FOUR PORT PNEUMATIC DIVERTER DETAIL</i>	DATE: 3-9-97	DRAWN BY: JS
		SCALE: As Shown	DRAWING #: ESS8404



SIDE VIEW

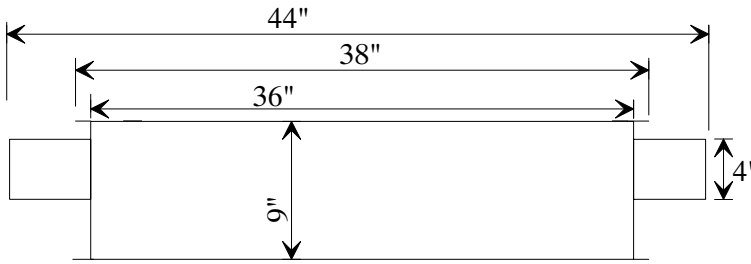


FRONT VIEW
(MULTI PORT VIEW)

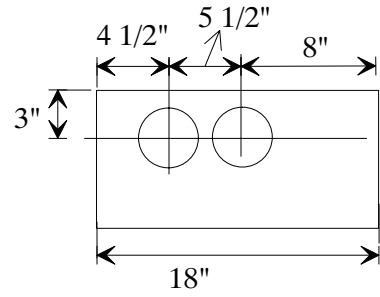


TOP VIEW

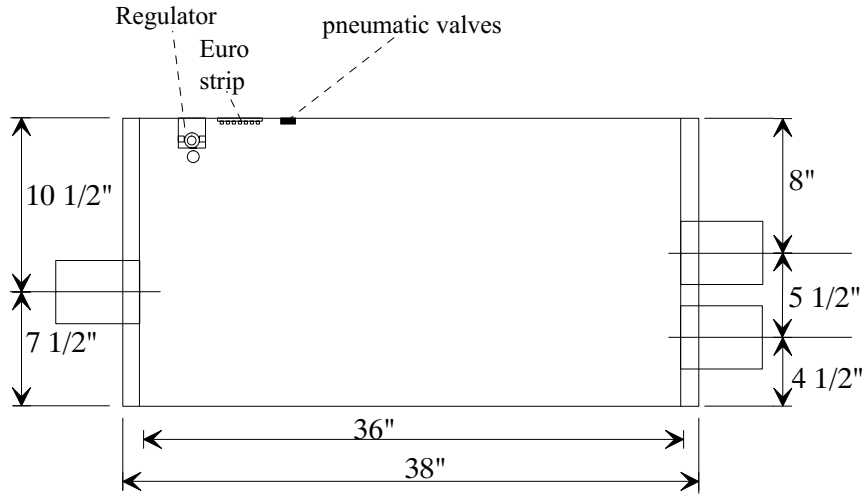
ZIP PNEUMATICS INCORPORATED	SUBJECT: 4" THREE PORT PNEUMATIC DIVERTER DETAIL	DATE: 3-9-97	DRAWN BY: JS
		SCALE: As Shown	DRAWING #: ESS8403



SIDE VIEW

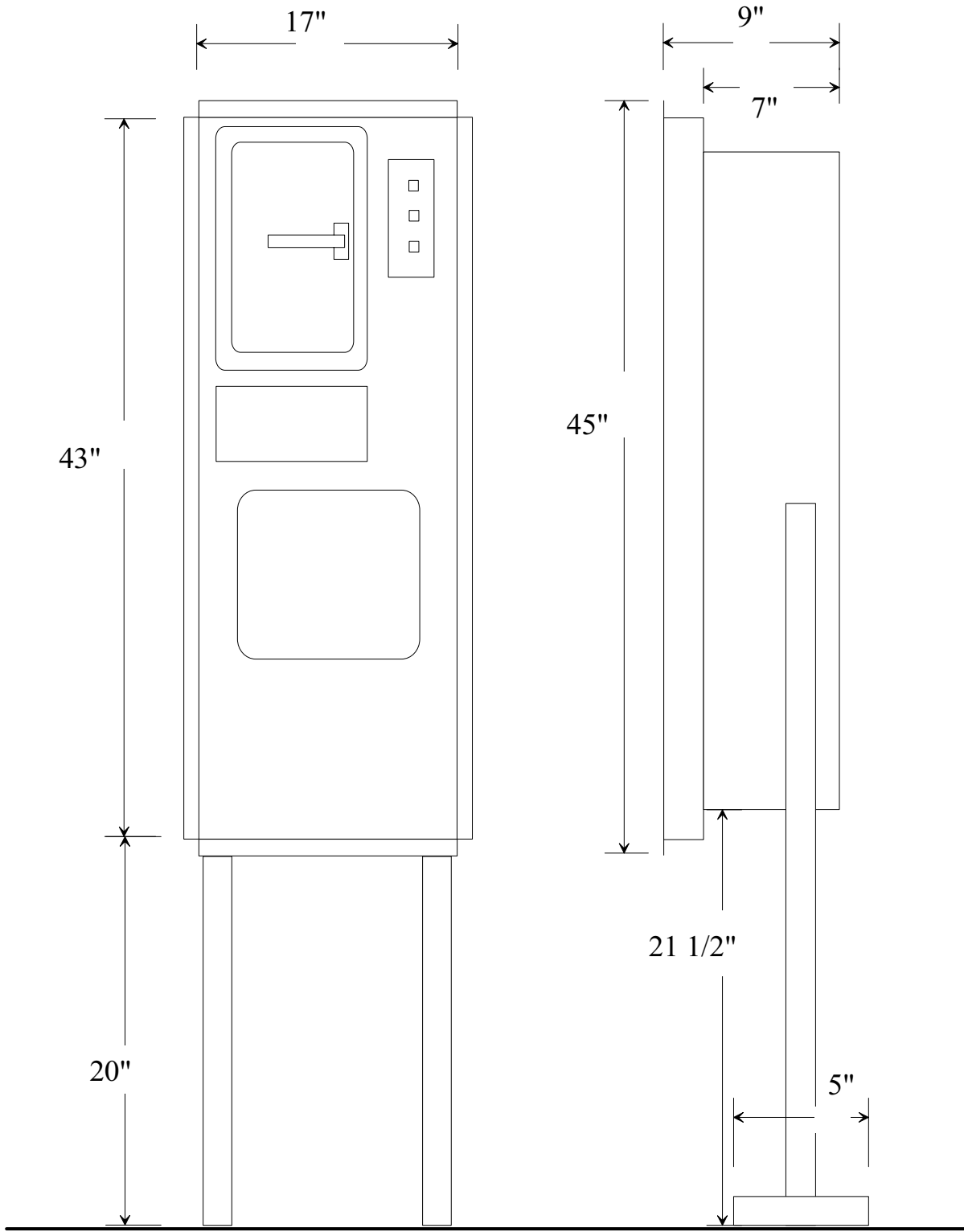


FRONT VIEW
(MULTI PORT VIEW)



TOP VIEW

ZIP PNEUMATICS <hr/> INCORPORATED	SUBJECT: 4" TWO PORT PNEUMATIC DIVERTER DETAIL	DATE: 3-9-97	DRAWN BY: JS
		SCALE: As Shown	DRAWING #: ESS8402



ZIP PNEUMATICS <hr/> INCORPORATED	SUBJECT: <i>4" ENTERPRISE SERIES 2000</i> <i>RECESSED SUBSTATION DETAILS</i>	DATE: 5-9-95	DRAWN BY: JS
		SCALE: NONE	DRAWING #: ESS2430-R