

<b>Zip Pneumatics, Inc.</b>  <b>Raytown, MO</b>	SUBJECT: <i>Enterprise Series 5400          Automatic Single Pipe Station          with large storage capacity</i>	DATE: <b>3-9-2003</b>	DRAWN BY: <b>JS</b>
		SCALE: <b>NONE</b>	DRAWING #: <b>ESS5403</b>

Rotron Regenerative blower:

Model - DR707D89X

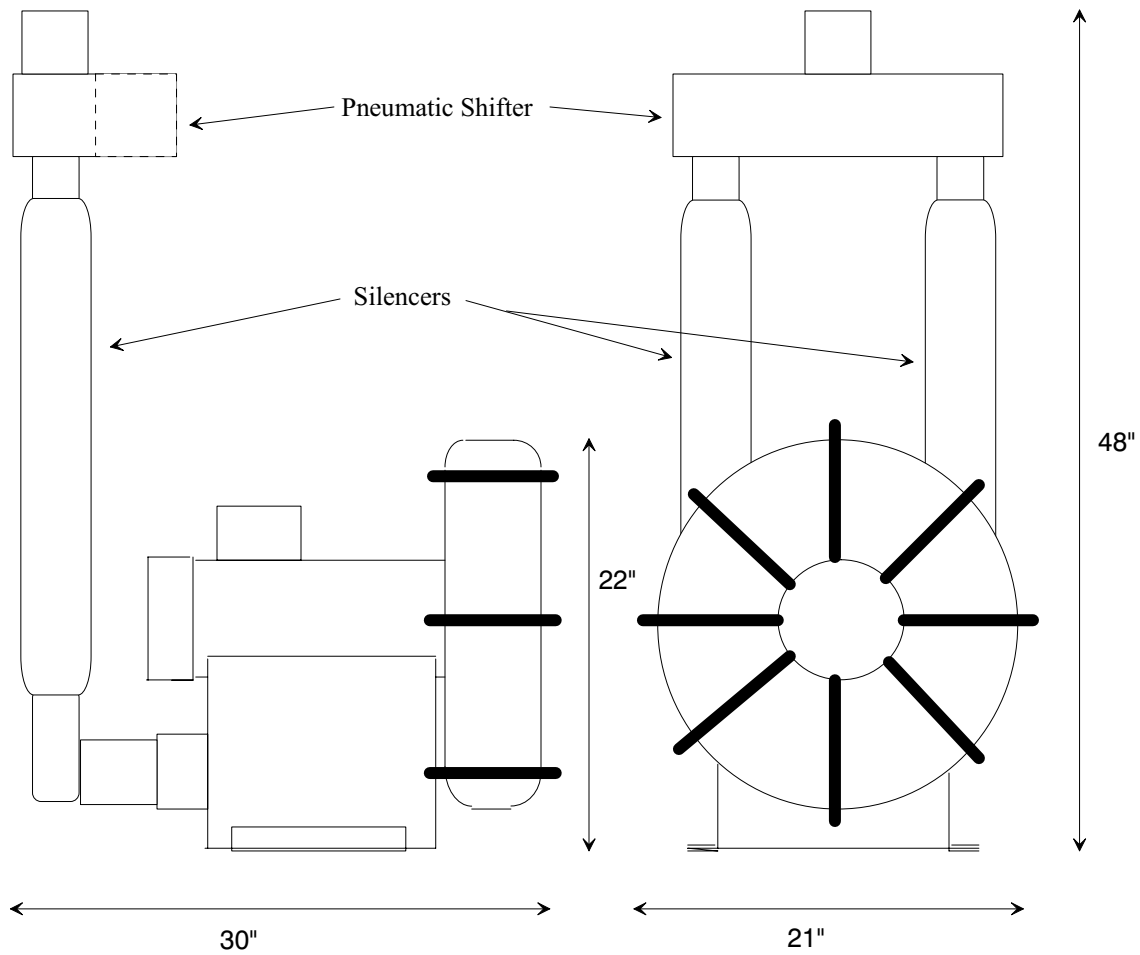
CFM - 225 cfm

H.P. - 5 h.p.

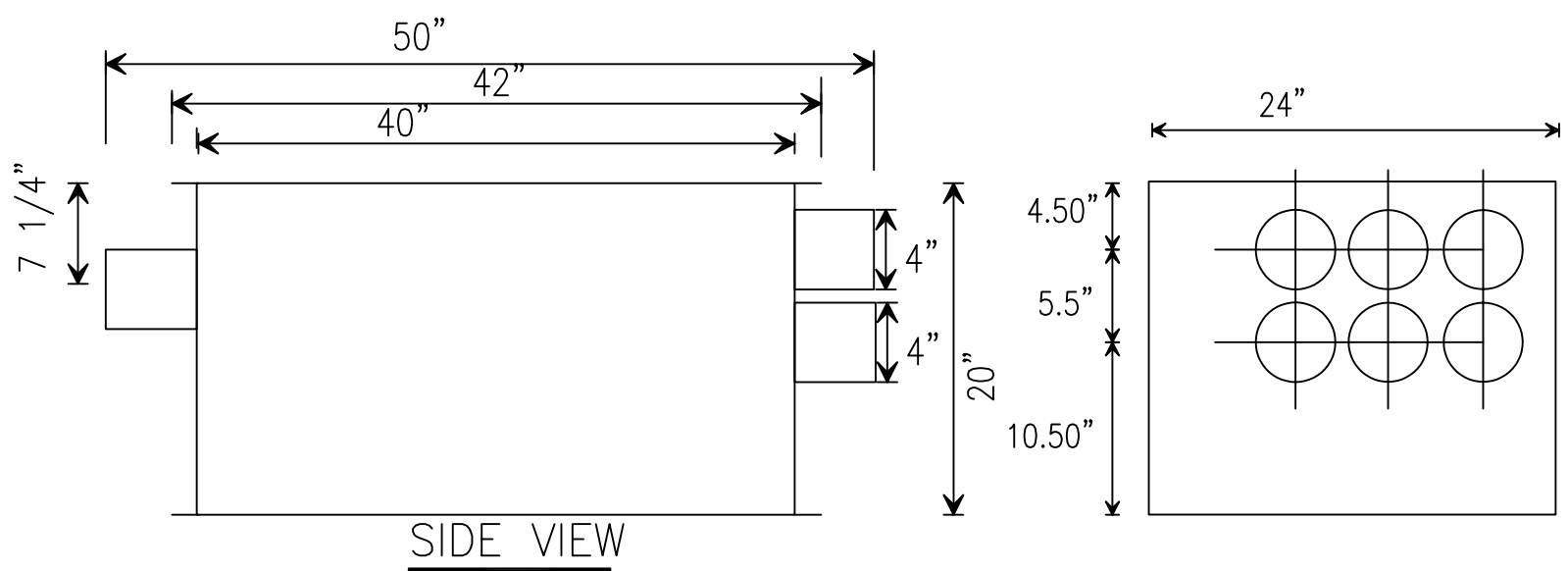
Voltage - three phase, 200/230/460/3/60

Weight - 133 lbs

Fittings - 2" NPT

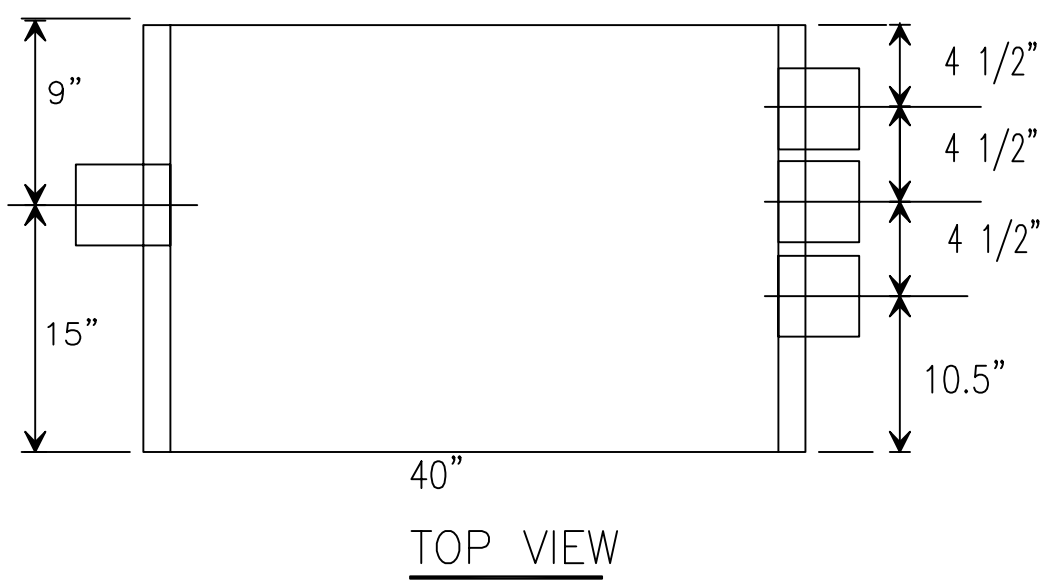


<b>ZIP PNEUMATICS</b> <hr/> INCORPORATED	SUBJECT: <i>4" Automatic System                  Blower Detail</i>	DATE: <b>3-9-94</b>	DRAWN BY: <b>JS</b>
		SCALE: <b>NONE</b>	DRAWING #: <b>E9401-100</b>



SIDE VIEW

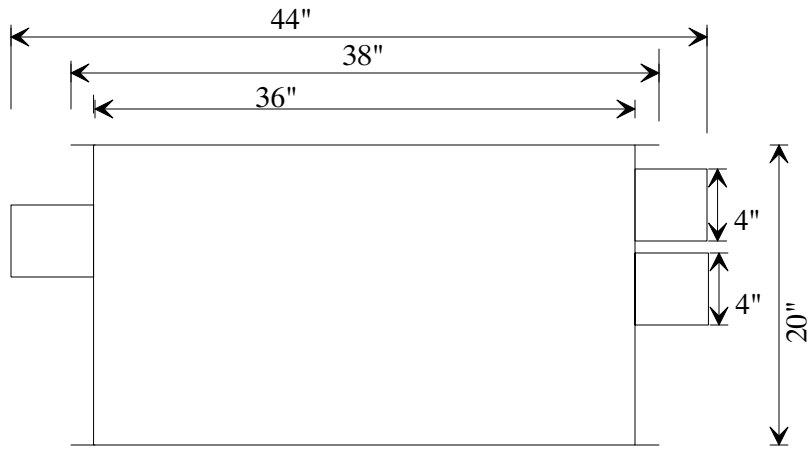
FRONT VIEW  
(MULTI PORT VIEW)



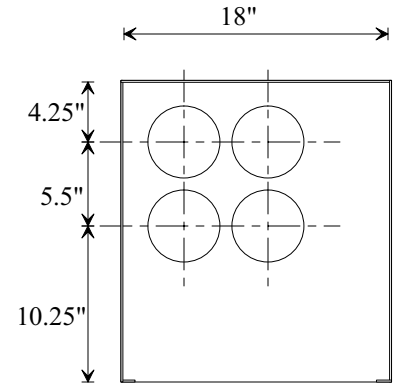
TOP VIEW

6-port Diverter

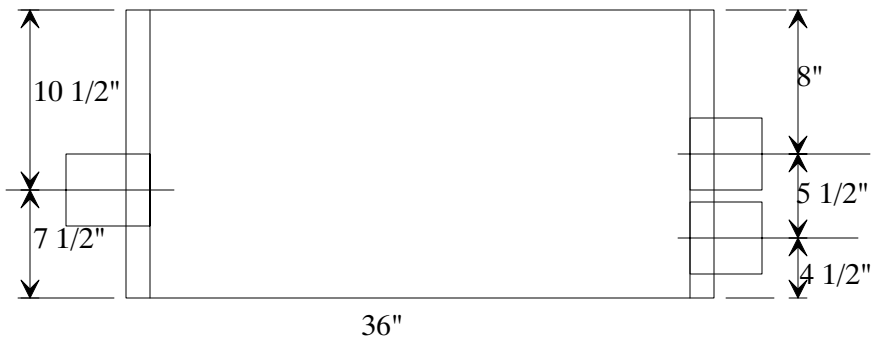
Zip Pneumatics Inc.	Subject	Date	Drawn By
	4" 6-port Diverter	5/25/04	JS
		Scale	Drawing #
		As Shown	ESS8406



**SIDE VIEW**

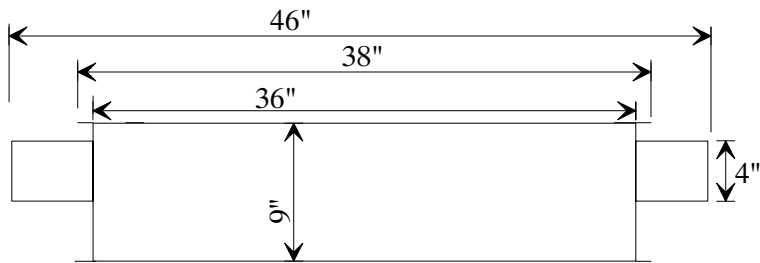


**FRONT VIEW**  
**(MULTI PORT VIEW)**

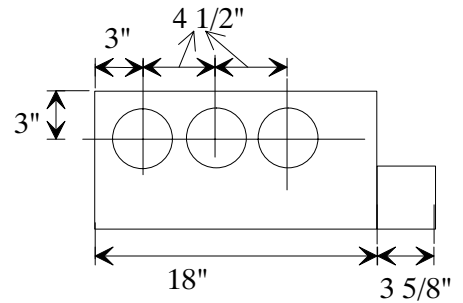


**TOP VIEW**

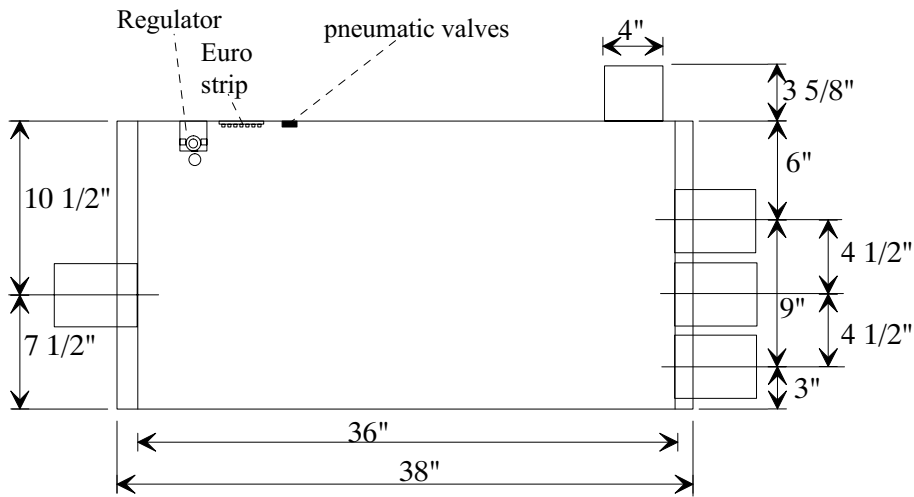
<b>ZIP PNEUMATICS</b> <hr/> INCORPORATED	SUBJECT: <i>4" FOUR PORT          PNEUMATIC DIVERTER          DETAIL</i>	DATE: <b>3-9-97</b>	DRAWN BY: <b>JS</b>
		SCALE: <b>As Shown</b>	DRAWING #: <b>ESS8404</b>



**SIDE VIEW**

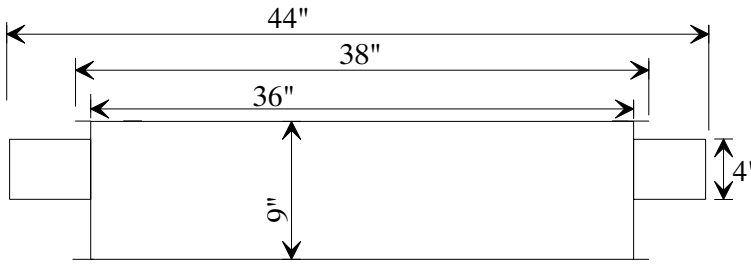


**FRONT VIEW**  
**(MULTI PORT VIEW)**

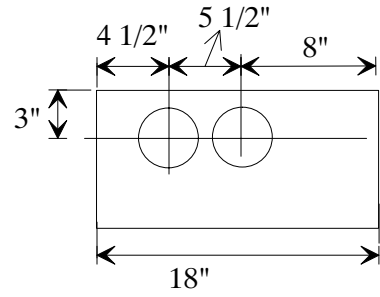


**TOP VIEW**

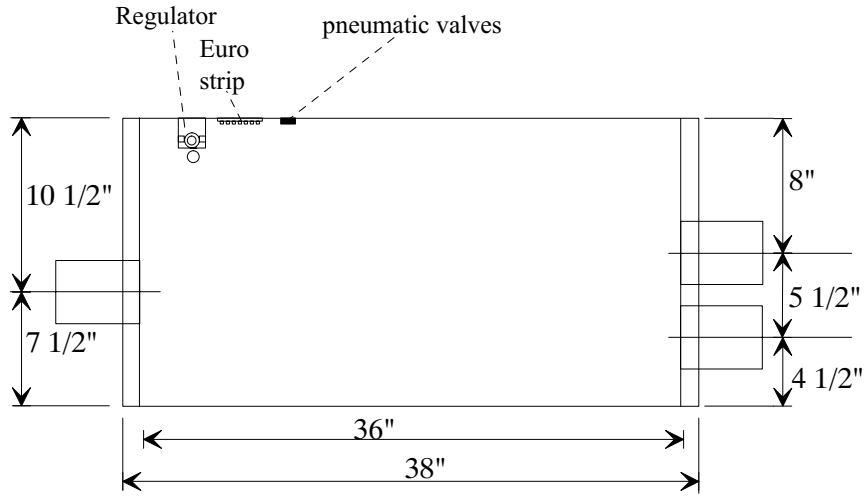
<b>ZIP PNEUMATICS</b> INCORPORATED	SUBJECT: <b>4" THREE PORT          PNEUMATIC DIVERTER          DETAIL</b>	DATE: <b>3-9-97</b>	DRAWN BY: <b>JS</b>
		SCALE: <b>As Shown</b>	DRAWING #: <b>ESS8403</b>



**SIDE VIEW**

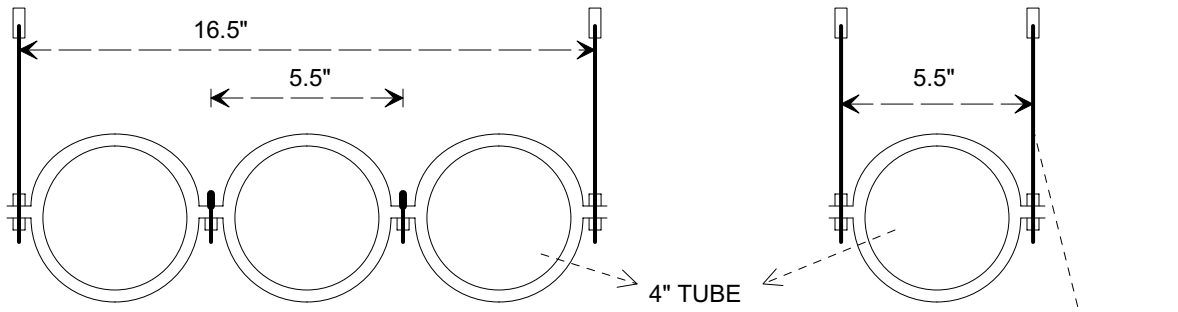


**FRONT VIEW**  
**(MULTI PORT VIEW)**



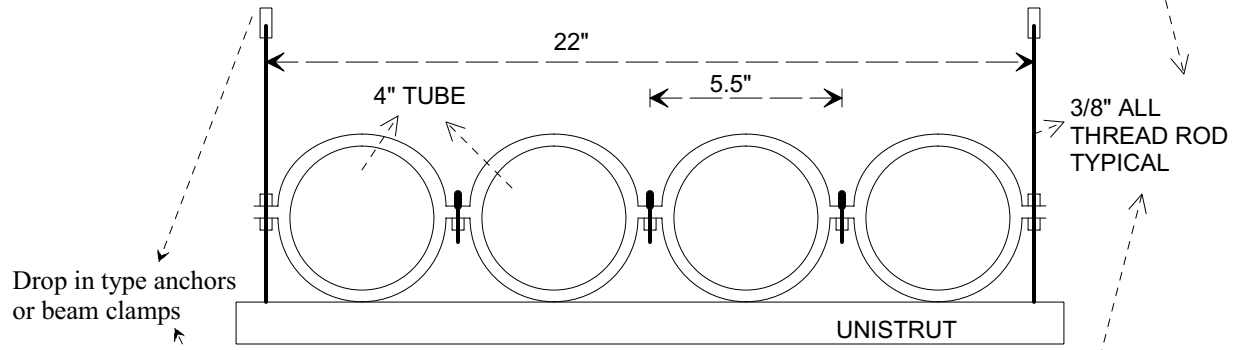
**TOP VIEW**

<b>ZIP PNEUMATICS</b> <hr/> INCORPORATED	SUBJECT: <b>4" TWO PORT          PNEUMATIC DIVERTER          DETAIL</b>	DATE: <b>3-9-97</b>	DRAWN BY: <b>JS</b>
		SCALE: <b>As Shown</b>	DRAWING #: <b>ESS8402</b>



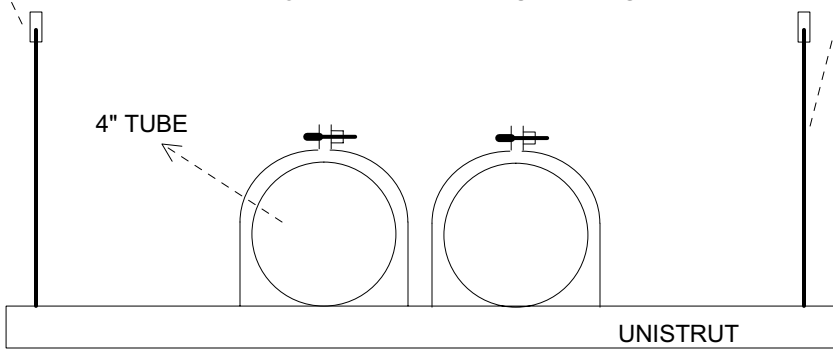
**STANDARD CLAMP**

WITH LESS THAN FOUR TUBE LINES



**STANDARD CLAMP**

WITH MORE THAN THREE TUBE LINES



**UNISTRUT CLAMP**

**TUBE SHALL BE SUPPORTED BY HANGERS ON 12' CENTERS**

<b>ZIP PNEUMATICS</b> <hr/> INCORPORATED	SUBJECT <b>4" STANDARD HANGER          DETAIL</b>	DATE 4/18/90	DRAWN BY JS
		SCALE NONE	DRAWING# 40HGR